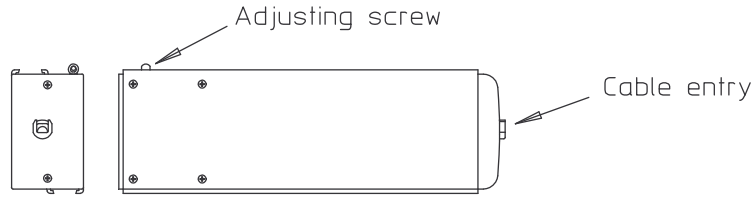


This drawing shows the actual state of product development at the date of the drawing or the revision date. No claims or damages in any form can be made against GEZE as a result of the use of this drawing. The drawing is intended for the production of parts and is made available to third parties only for the duration of contractual obligations. All rights connected with this drawing remain in possession of GEZE. This drawing may not be copied or handed over to third parties without the express consent of GEZE.

EMPB = Erstmusterprüfbericht / First sample test report



Electr. data	
Voltage [V] AC	230
Frequency [Hz]	50
Duty cycle short-time oper. [min]	4
Power consumption [W]	160
Current consumption [A]	0.7
Current cutoff threshold (overload) [A]	—
Operating capacitor [mkF]	4
Ambient temperature [°C]	-20/+40
Protection type/Protection class [IP]	20/I
Insulating class	F
Connecting cable	by the customer
Group control	max. 6 drives
Range of applications	dry rooms

Mech. data	Stroke 250 or 370
Shearing force [N]	150
Tensile force [N]	300
Stroke length [mm] *	250 or 370
Thrust speed [mm/s]	40
Weight [kg]	1.8
Cut-out	Limit switch
Overload cutoff	Thermal switch

* Variable stroke adjustment via additional component ID No. 85861 possible

Notes on installation

- For maintenance purposes, the drive must be fitted in an accessible position.
- Assembly and electrical connections must be carried out by qualified personnel.
- The drive is switched off in the end position by the installed limit switch.

Operations check of the electrical limit switches _____

Limit switches stop the movement at both stroke ends. If the drive remains live after achieving the end position (drive casing vibrates lightly, motor current is flowing), then closing the window must be re-adjusted. The adjusting screw must be released by a few rotations (0.8mm per rotation).

Use adjusting devices to check and adjust the electric drives.
See: Adjusting device for electric drive 230V mat. no. 54371

General notes

- Assembly instructions 45139-9-0950 must be followed
- Attention! Danger of crushing during running drive.

Diese Zeichnung entspricht dem Entwicklungsstand des Zeichnungs-Zustandes zum Zeitpunkt der Erstellung. GEZE übernimmt keine Haftung für Schäden, die durch die Verwendung dieser Zeichnung entstehen können. Die Zeichnung bleibt unser Eigentum und ist ohne vorherige Zustimmung von GEZE an Dritte nicht weiterzugeben. GEZE ist nicht verpflichtet, diese Zeichnung weder zu kopieren noch zu reproduzieren.

				GEZE GmbH P.O. Box 13 63 71226 Leonberg Germany		Benennung / designation	
				vertraulich / confidential		Connection diagramm Chain drive E600/230V AC	
				Datum / date	Name / name	Blatt / von sheet / of	Material-Nr. ID-no.
				erstellt / drawn	tbe7	1 / 2	
				gepr. / checked	tbe9	Maßstab scale	
						1	
04	26.06.2007	tbe7	48031	Ersatz für: subst. for:		Sprache / language	Zeichnungs-Nr. / document-no.
03	09.09.2004	tbe7	47186	Ersetzt durch: subst. with:		GB	
EMPB	Dok.version	Datum	Name	Mitteilungs-Nr. Doc. change no.			45139-9-0960

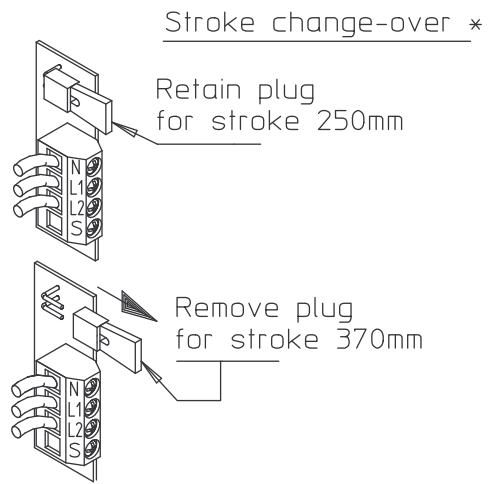
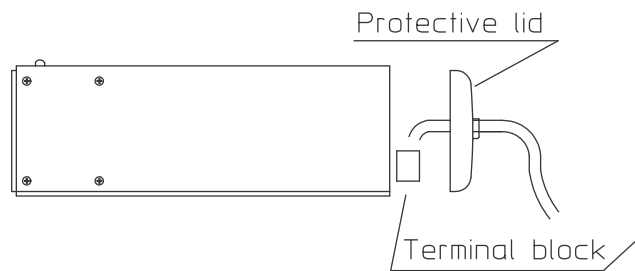
This drawing shows the actual state of product development at the date of the drawing or the revision date. No claims of damages in any form can be made against GEZE as a result of the use of this drawing. GEZE is not liable for any damage of any kind, including consequential damages, arising from the use of this drawing. All rights reserved. This drawing remains the property of GEZE. This drawing may not be copied or handed over to third parties without the express consent of GEZE.

EMPB = Erstmusterprüfbericht / First sample test report

Diese Zeichnung entspricht dem Entwicklungsstand des Zeichnungs-Zustandes. GEZE übernimmt keine Ansprüche an die Genauigkeit der Zeichnung. GEZE ist nicht haftbar für Schäden, die durch die Verwendung dieser Zeichnung entstehen. GEZE ist nicht haftbar für Schäden, die durch die Verwendung dieser Zeichnung entstehen. GEZE ist nicht haftbar für Schäden, die durch die Verwendung dieser Zeichnung entstehen.

Connection:

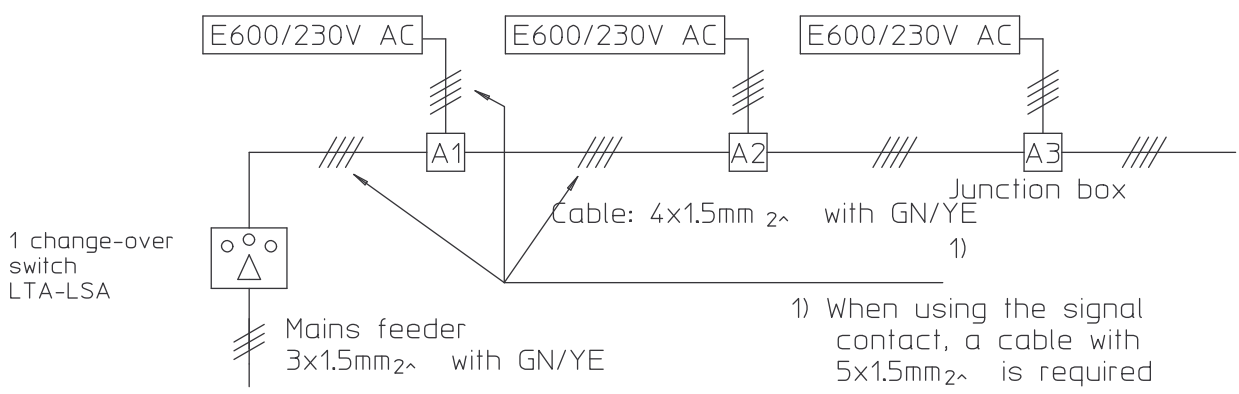
Unscrew the protective lid of the terminal block and connect the drive to the terminal block.



Layout of cables:

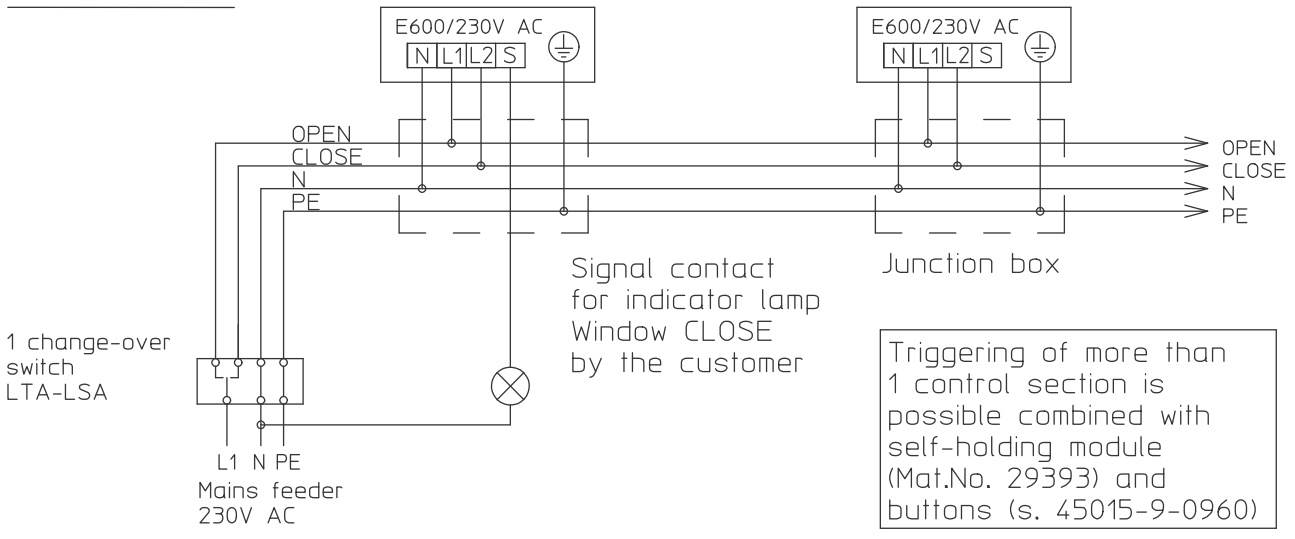
Switch max. 6 drives in parallel

* Variable stroke adjustment via additional component Ident. No. 85861 possible



1) When using the signal contact, a cable with 5x1.5mm² is required

Connection:



Triggering of more than 1 control section is possible combined with self-holding module (Mat.No. 29393) and buttons (s. 45015-9-0960)

Information for the electrician: Fix circuit diagram to the drive with adhesive tape. Protect the drive from construction dirt and spurts of water.

				GEZE GmbH P.O. Box 13 63 71226 Leonberg Germany		Benennung / designation	
				vertraulich / confidential		Connection diagramm Chain drive E600/230V AC	
				Datum / date	Name / name	Blatt / von sheet / of	Material-Nr. ID-no.
				erstellt / drawn	tbe7	2 / 2	
				gepr. / checked	tbe9	Maßstab scale	
						1	
04	26.06.2007	tbe7	48031	Ersatz für: subst. for:		Sprache / language	Zeichnungs-Nr. / document-no.
03	09.09.2004	tbe7	47186	Ersetzt durch: subst. with:		GB	
EMPB	Dok.version doc.version	Datum date	Name name	Mitteilungs-Nr. Doc. change no.			45139-9-0960